

Product features

Lamp

- Metal iodide 1200W lamp.
- Type: HTI 1200W/D7/60 Osram.
- Cap: Sfc 10-4.
- Color Temperature: 6,000 K.
- Luminous flux: 110,000 lm.
- Average Life: 750h.
- Hot Restrike.

Optics

- Optical unit with optimal luminous efficiency.
- 15° - 40° Electronic Linear Zoom.
- Electronic focusing.

Color system

- CMY Color Mixing.
- 6- Color Wheel (plus open). All filters are easily replaceable with as many gobos.
- Linear CTO.

Effects section

- Graphic system (14 gobos + 1 Animation disc):
 - 1 Rotating Gobo wheel with 6 bidirectional, indexable and easily interchangeable gobos. Selectable "Gobo shake" function. "Morphing" effect.
 - 1 wheel with 8 Fixed and easily interchangeable Gobos, variable rotation and selectable "Gobo shake" function. Magnetic "fast clamping" system to quickly switch with other gobo wheels personalized upon request.
 - Ø 120 mm Animation Disc that may be used alone or in combination with gobos, equipped with "fast clamping" system to quickly switch with other animation discs, or with Graphic Discs. The Animation Disc can be directed both vertically and horizontally: this allows the effect and its movement to be reproduced in any projection position.
- 9- faced prism + 2 frost filters.
- High speed mechanical Iris.
- A state-of-the-art 0-100% Dimmer.
- Stop/strobe effect.

Electronics and other features

- Long life self-charging buffer battery.
- Pre-set macros.
- "ENERGY SAVING" function: with the stop or total dimmer effect on, or with all the CMY filters full (black), consumption cut by 50%.
- 115/230V switchable power supply.
- ON/OFF lamp control from the lighting desk.
- Function reset from the lighting desk.
- "HELP" function in the menu.
- "MEMO" function.
- "AUTOTEST" function.
- Possibility to upgrade the software through the DMX 512 input.
- Ethernet connection.
- Electronic control on each parameter.
- DMX level monitoring on each channel.
- Feedback information for each sensor and encoder.
- Electronic repositioning of the effects.



PROFESSIONAL SHOW LIGHTING

CLAY PAKY S.p.A.

Via Pastrengo, 3/b - 24068 Seriate (BG) Italy
Tel. +39-035-654311 - Fax +39-035-301876
cp.sales@claypaky.it - www.claypaky.it

Technical data

Power supplies

- 200 - 240 V 50/60 Hz • 100 - 120 V 50/60 Hz
- The power supply can be changed over with the built-in selector.

Input power: 1.550VA at 230V 50Hz (PFC Electronic Ballast).

Input: DMX 512.

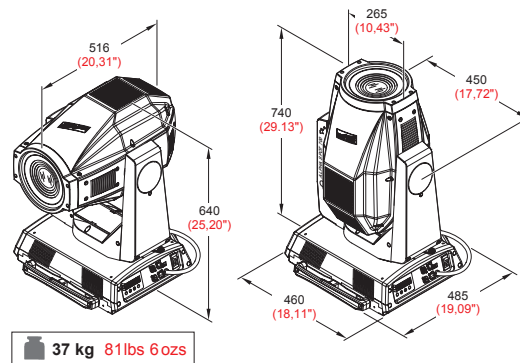
Body

- Aluminium structure with die-cast plastic cover.
- Two side handles for transportation.
- Device locking PAN and TILT mechanisms for transportation and maintenance.

Moving body

- Angle:
 - PAN = 450° - TILT = 252°
- Maximum speeds:
 - PAN = 4.0 sec. (360°) - TILT = 3.2 sec. (252°)
- Resolution:
 - PAN = 1.76° - PAN FIN = 0.007°
 - TILT = 0.98° - TILT FIN = 0.004°

Dimensions (mm/inches) and Weights



- Automatic repositioning of PAN and TILT after accidental movement not controlled by control unit.
- PAN and TILT lock on 4 and 5 positions respectively.

Cooling

Forced ventilation with axial fans.

Safety devices

- Bipolar circuit breaker with thermal protection.
- Automatic break in power supply in case of overheating.

Recommended working position

Functions in any position.

CE marking

In conformity with the European Union Low Voltage Directive 73/23 and Electromagnetic Compatibility Directive 89/336.

Accessories

Code 183102/801

Omega for Clamps fixing - supplied (2 pieces)



Code C52175

Clamps (hooks for truss) - not included



Code 105041/003

Safety cable - not included



Sales codes

C 61087 ALPHA SPOT 1200

L 10055 HTI 1200W/D7/60 Osram Lamp

F 21170 Foam shell

F 21162 Flight case for 2 projectors (including 2 foam shells)

CHANNELS

	Standard	16 b	Extended
Channel 1	Cyan	Cyan	Cyan
Channel 2	Magenta	Magenta	Magenta
Channel 3	Yellow	Yellow	Yellow
Channel 4	Linear CTO	Linear CTO	Linear CTO
Channel 5	Color Wheel	Color Wheel	Color Wheel
Channel 6	Stop/Strobe	Stop/Strobe	Stop/Strobe
Channel 7	Dimmer	Dimmer	Dimmer
Channel 8	Iris	Iris	Iris
Channel 9	Fixed Gobo Change	Fixed Gobo Change	Fixed Gobo Change
Channel 10	Rotating Gobo Change	Rotating Gobo Change	Rotating Gobo Change
Channel 11	Gobo Rotation	Gobo Rotation	Gobo Rotation
Channel 12	Animation Disc	Animation Disc	Gobo Rotation fine
Channel 13	Animation Disc Rotation	Animation Disc Rotation	Animation Disc
Channel 14	Frost/Prism/Lens	Frost/Prism/Lens	Animation Disc Rotation
Channel 15	Focus	Focus	Frost/Prism/Lens
Channel 16	Zoom	Zoom	Focus
Channel 17	Pan	Pan	Zoom
Channel 18	Tilt	Tilt	Pan
Channel 19	Reset	Reset	Pan fine
Channel 20	Lamp	Lamp	Tilt
Channel 21		Pan fine	Tilt fine
Channel 22		Tilt fine	Reset
Channel 23		Gobo Rotation fine	Lamp